

2000 Series

Models 2001, 2001ES, 2003, 2003ES
dual coil solenoids

Pull Force Range: 21-29 lbs (93-129 N)

Hold Force Range: 41-51 lbs (182-227 N)

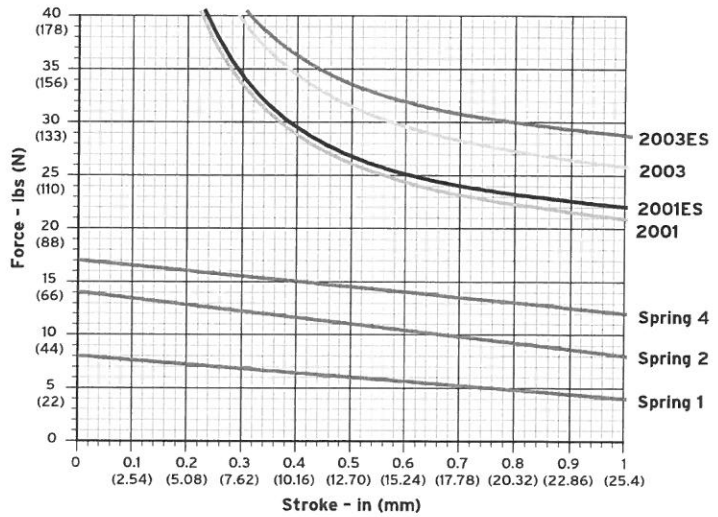


Model	Rated Voltage	Pull Rating*	Hold Rating*
2001	12/24 VDC	21 lbs (93N)	49 lbs (218 N)
2001ES	12/24 VDC	22 lbs (98 N)	43 lbs (191 N)
2003	12/24 VDC	26 lbs (116 N)	51 lbs (227 N)
2003ES	12/24 VDC	29 lbs (129 N)	41 lbs (182 N)

*At rated voltage, 68°F (20°C), and 1" (25.4 mm) stroke

Return Spring

Model	Force @ 1"
S1 Light	4-8 lbs
S2 Medium	8-14 lbs
S4 Heavy	14-17 lbs



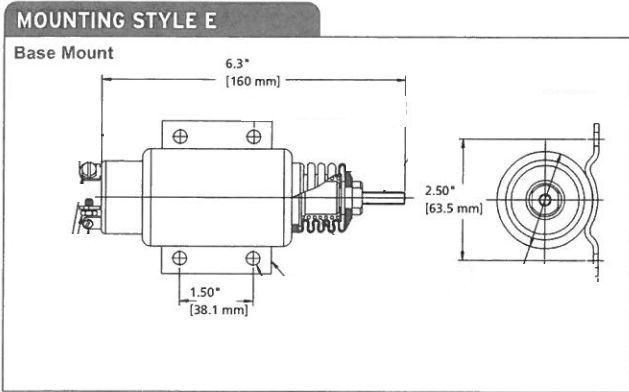
Order Information: Complete the following model descriptions to build your Order No.

()	()	()	()	()	()	()	()
Model No.	Volts	Mounting Style	Plunger Type	Grounding (No. of Terminals)	Termination Type	Boot Type	Return Spring (Force @ 1")
2001	12 12 VDC	E Base	2 Ext. Thread 1/4-28	G Grounded (1 Terminal)	1 Screw	B1 Constant Volume Silicone Rubber	S1 Light (4-8 lbs)
2003	24 24 VDC	S* Flange	3 Ext. Thread M-6	U Ungrounded 2001 and 2003: (2 Terminals) 2001ES and 2003ES: (3 Terminals or Wire Leads)	L 3 Wire Leads Note: 2001ES and 2003ES only	B2 Bellows Silicone Rubber	S2 Medium (8-14 lbs)
2001ES			6 Int. Thread 1/4-28		C Connector attached to 3 Wire Leads Note: Contact factory for type and availability. 2001ES and 2003ES only	B3 Constant Volume Silicone Rubber Red	S4 Heavy (12-17 lbs) Available on 2003 and 2003ES only
2003ES			7 Int. Thread M-6			B4 Bellows Silicone Rubber	
						B5 Constant Volume Silicone Rubber	

*Flange mounting not available for ES models.

When you order: Add A to your order number for the Aux Terminal option or C for the Conduit Cover available on internally switched models. Certain combinations may not be standard models. Please contact factory to determine whether a custom-built model is required for your application.

Mounting Styles:



Specifications:

Temperature Range	-40 °F to +250 °F (-40 °C to +121 °C)
Weight	2.5 lbs (1.2 kg)

Model	Rated Voltage	Rated Stroke	Pull Current	Hold Current	Pull Rating*	Hold Rating*	Coil Winding
2001	12 VDC	1" (25.4 mm)	44 A	0.6 A	21 lbs (93 N)	49 lbs (218 N)	Series
2001	24 VDC	1" (25.4 mm)	23 A	0.3 A	21 lbs (93 N)	49 lbs (218 N)	Series
2001ES	12 VDC	1" (25.4 mm)	44 A	0.6 A	22 lbs (98 N)	43 lbs (191 N)	Parallel
2001ES	24 VDC	1" (25.4 mm)	23 A	0.3 A	22 lbs (98 N)	43 lbs (191 N)	Parallel
2003	12 VDC	1" (25.4 mm)	60 A	0.8 A	26 lbs (116 N)	51 lbs (227 N)	Series
2003	24 VDC	1" (25.4 mm)	37 A	0.4 A	26 lbs (116 N)	51 lbs (227 N)	Series
2003ES	12 VDC	1" (25.4 mm)	62 A	0.9 A	29 lbs (129 N)	41 lbs (182 N)	Parallel
2003ES	24 VDC	1" (25.4 mm)	39 A	0.5 A	29 lbs (129 N)	41 lbs (182 N)	Parallel

*At rated voltage, 68°F (20°C), and 1" (25.4 mm) stroke

Specifications are for reference only.

e-mail: info_niles@woodward.com